

NORMBAU 300 Series

Accessibility for All - Bathroom Fittings



About us

Founded in 1954, NORMBAU Beschläge und Ausstattungs GmbH has developed from a family owned company into a world-wide manufacturer well known in the industry for its high quality architectural hardware, which offers design solutions and partitioning systems for use in wash-room areas.

Our technical competence and customer focus orientation enables us to offer a wide range of hardware products and systems that satisfy all requirements for commercial, private or public buildings whether new build or retrofit. We also offer specialist advice on Access for All products for bathroom and shower areas.

Research and development into new materials with antibacterial properties has also led to the development of NORMBAU Microban®. A range of door handles, sanitary accessories, wash basins, toilets and handrails with build-in antimicrobial protection to help reduce the risk of cross-contamination.

In 1997, NORMBAU became a member of the Ingersoll Rand Group. For more than a century the name Ingersoll Rand has been synonymous with the very best in design, manufacture and installation of architectural hardware and NORMBAU is one of the major brands within the Security Technologies sector. Along with NORMBAU there are a number of other leading companies/brands within the group such as Schlage, Kryptonite, Randi and Interflex. With its five business units, Ingersoll Rand has wide and varied knowledge of the industry and is a leading innovator and solutions provider in the major global markets of Industry, Construction, Climate Control, Compact Vehicles and Security Technologies.

**We are not working just
to produce something,
but to give time a value.**

Eugène Delacroix

300 Series

Access for All – in today's society it is imperative for contractors, engineers and architects to source and install products, which meet requirements set out for the elderly and disabled.

NORMBAU has developed into a world-wide manufacturer, renowned in the industry for supplying design solutions for Access for All products and for continually striving to offer innovative new products to meet and exceed these requirements. All products undergo extensive testing, to ensure all functional and safety standards are met.

The 'Made in Germany' sanitary fittings series is available in the latest cadmium and lead free colours: dark grey, white, yellow, dark blue and manhattan grey.

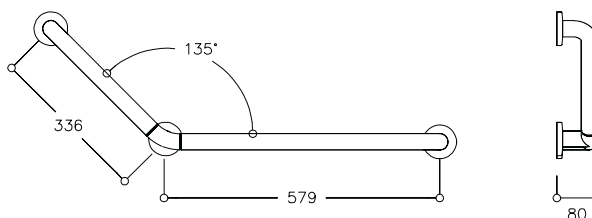


Product code

**NORMBAU Grab rail NY.364.060****0300 643**

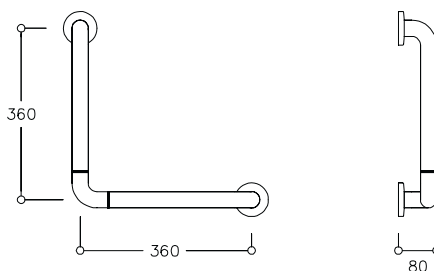
579 x 336mm, 135° internal angle, made of Nylon
34mmØ full length non-corrosive steel core with matching intermediate rings. 70mmØ steel cored roses for concealed fixing. Stainless steel rose inners and screws. Left and right hand application. Available in NORMBAU colours: 18, 19, 22, 37 and 67.

Supplied with plugs and 6 Ø x 60mm screws for solid brick.

**NORMBAU Grab rail NY.364.020****0300 642**

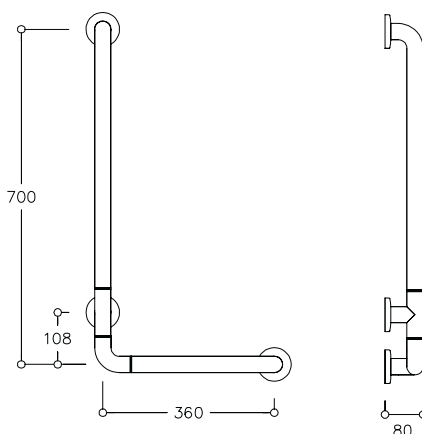
360 x 360mm, 90° internal angle, made of Nylon
34mmØ full length non-corrosive steel core with matching intermediate rings. 70mmØ steel cored roses for concealed fixing. Stainless steel rose inners and screws. Left and right hand application. Available in NORMBAU colours: 18, 19, 22, 37 and 67.

Supplied with plugs and 6 Ø x 60mm screws for solid brick.

**NORMBAU Grab rail NY.364.010****0300 641**

360 x 700mm, 90° internal angle, made of Nylon
34mmØ full length non-corrosive steel core with matching intermediate rings. 70mmØ steel cored roses for concealed fixing. Stainless steel rose inners and screws. Left and right hand application. Available in NORMBAU colours: 18, 19, 22, 37 and 67.

Supplied with plugs and 6 Ø x 60mm screws for solid brick.



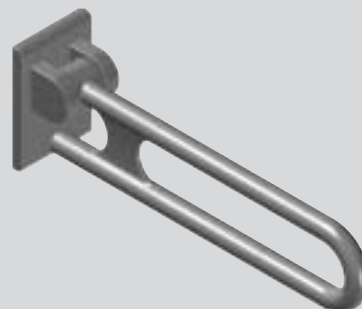
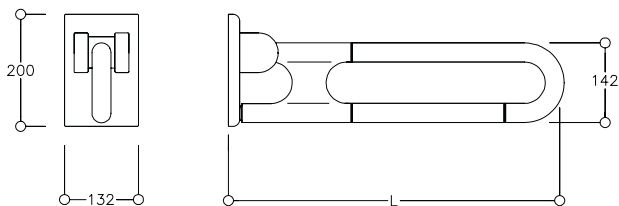
Product code

NORMBAU Lift-up support rail NY.347...

- NY.347.010, L = 600mm 0300 471
- NY.347.030, L = 725mm 0300 472
- NY.347.050, L = 850mm 0300 473

made of Nylon,
34mmØ full length non-corrosive steel core with matching intermediate rings. 170mm gap required from wall for lift-up position. Steel reinforced mounting plate with nylon covers for concealed fixing. Installed using pre-mounted screws. Left and right hand application.

Available in NORMBAU colours: 18, 19, 22, 37 and 67.

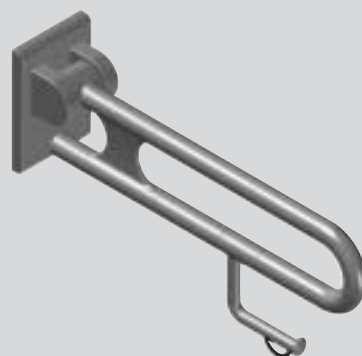
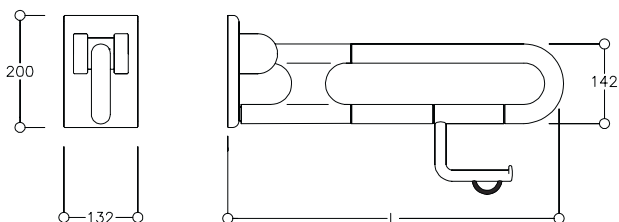


NORMBAU Lift-up support rail NY.347... with paper roll holder PRH 437

- NY.347.110, L = 600mm 0300 475
- NY.347.130, L = 725mm 0300 476
- NY.347.150, L = 850mm 0300 477

made of Nylon,
34mmØ full length non-corrosive steel core with matching intermediate rings, adjustable brake, and steel reinforced mounting plate with nylon covers for concealed fixing. Installed using pre-mounted screws. Toilet roll holder with self-adjusting and maintenance free roller. Left and right hand application.

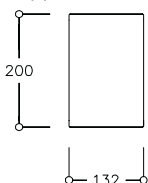
Available in NORMBAU colours: 18, 19, 22, 37 and 67.



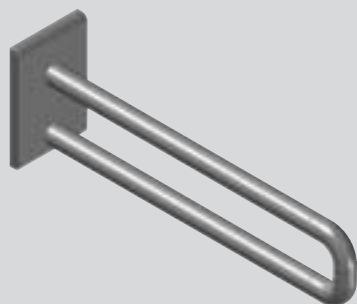
NORMBAU Mounting plate NY.347.270

0300 479

for use with lift-up support rails,
Nylon covers to hide pre-mounted screws for use with above lift-up support rails NY.347...



Product code

**NORMBAU Wall support rail NY.367...**

NY.367.010, L = 600mm

0300 671

NY.367.030, L = 725mm

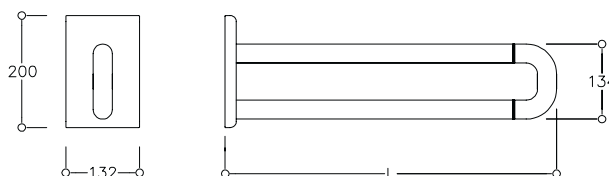
0300 672

NY.367.050, L = 850mm

0300 673

made of Nylon,
34mmØ full length non-corrosive steel core with matching intermediate rings. Steel reinforced mounting plate with nylon covers for concealed fixing. Left and right hand application.

Available in NORMBAU colours: 18, 19, 22, 37 and 67.

**NORMBAU Grab bar NY.353 ...**

smooth surface, 1 piece (without intermediate rings)

NY.353.200, c/c = 300mm

0300 633

NY.353.190, c/c = 400mm

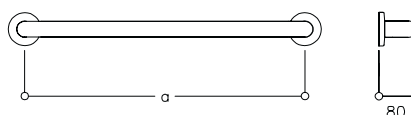
0300 634

NY.353.180, c/c = 500mm

0300 635

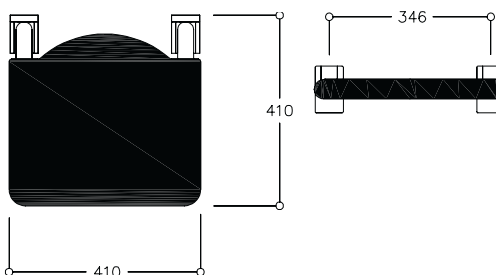
NY.353.170, c/c = 600mm

0300 636

**NORMBAU Lift-up shower seat NY.374.010**

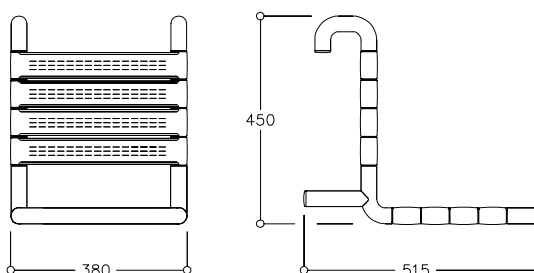
0300 741

410 x 410mm, made of Nylon,
PUR integral foam seat with non-corrosive steel core, steel reinforced hinges with limiting device to allow the seat to be lowered gently into position. Built-in automatic stop in lift-up position. Cover caps supplied for concealed fixing. 80mm gap required from wall for lift-up position. Available in NORMBAU colour: 16 (black).

**NORMBAU Suspensible shower seat NY.377.030**

0300 771

380 x 515 x 450mm, made of Nylon,
seat and backrest made of Nylon with non-corrosive steel core and intermediate rings. The shower seat can be suspended from various NORMBAU support and grab rails.



Product code

NORMBAU Showerhead rail NY.388 ...

NY.388.090, c/c = 600mm

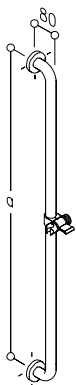
0300 881

NY.388.030, c/c = 1086mm

0300 882

made of Nylon, 34mmØ full length non-corrosive steel core. Showerhead holder NY.BRH 91 suitable for use with various shower heads, height and angle adjustable, multi-purpose side hook, left and right hand application. Supplied with 70mmØ steel cored roses for concealed fixing, stainless steel rose inners and screws. Available in NORMBAU colours: 18, 19, 22, 37 and 67.

Supplied with plugs and 6 Ø x 60mm screws for solid brick.



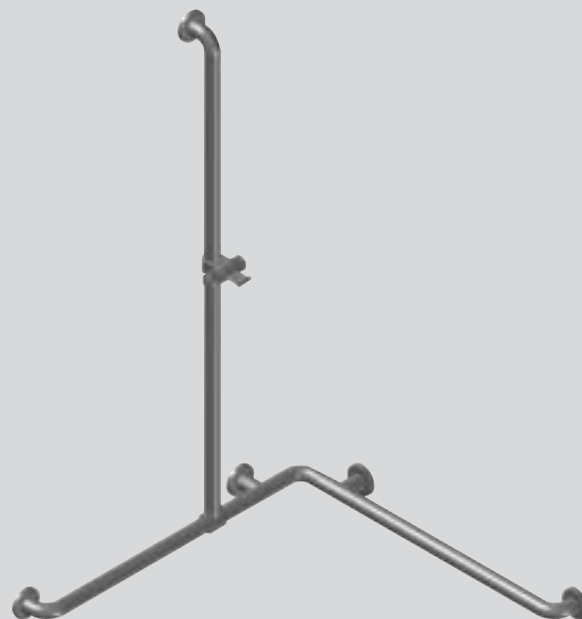
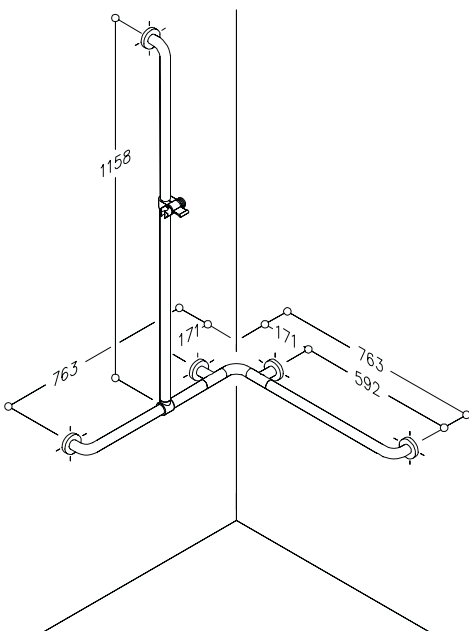
NORMBAU Shower handrail with showerhead rail

NY.387.210

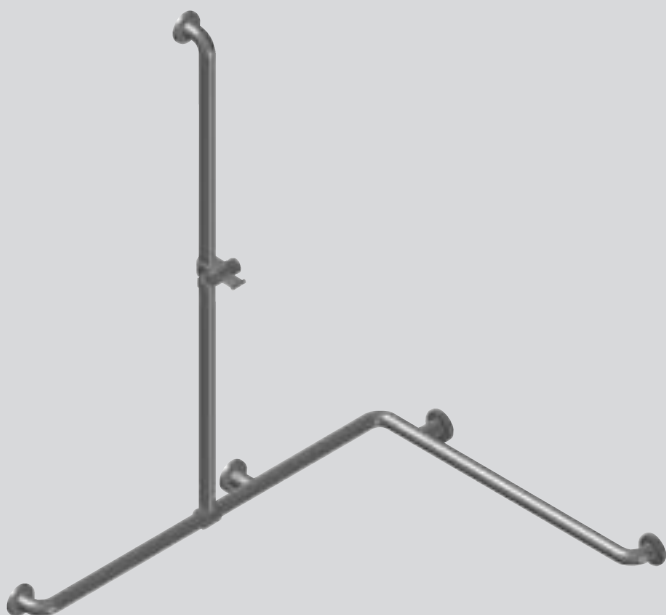
0300 871

763 x 763 x 1158mm, adjustable showerhead rail, made of Nylon. 34mmØ full length non-corrosive steel core. Showerhead holder NY.BRH 91 suitable for use with various showerheads, height and angle adjustable, multi-purpose side hook, left and right hand application. Supplied with 70mmØ steel cored roses for concealed fixing, stainless steel rose inners and screws. Available in NORMBAU colours: 18, 19, 22, 37 and 67.

Supplied with plugs and 6 Ø x 60mm screws for solid brick.



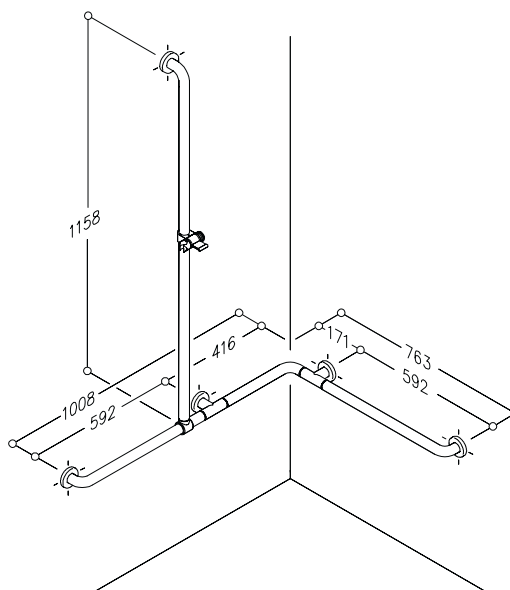
Product code

**NORMBAU Shower handrail with showerhead rail****NY.387.240****0300 872**

763 x 1008 x 1158mm, adjustable showerhead rail, 34mmØ full length non-corrosive steel core. Made of Nylon. Showerhead holder NY.BRH 91 suitable for use with various showerheads, height and angle adjustable, multi-purpose side hook, left and right hand application. Supplied with 70mmØ steel cored roses for concealed fixing, stainless steel rose inners and screws.

Available in NORMBAU colours: 18, 19, 22, 37 and 67.

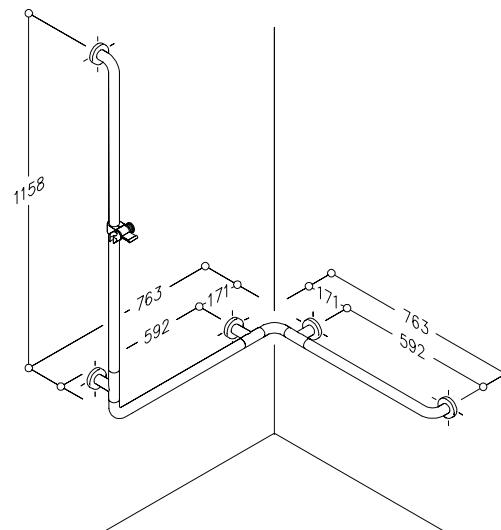
Supplied with plugs and 6 Ø x 60mm screws for solid brick.

**NORMBAU Shower handrail with showerhead rail****NY.386.040****0300 861**

763 x 763 x 1158mm showerhead rail made of Nylon. 34mmØ full length non-corrosive steel core. Showerhead holder NY.BRH 91 suitable for use with various showerheads, height and angle adjustable, multi-purpose side hook, left and right hand application. Supplied with 70mmØ steel cored roses for concealed fixing, stainless steel rose inners and screws.

Available in NORMBAU colours: 18, 19, 22, 37 and 67

Supplied with plugs and 6 Ø x 60mm screws for solid brick.



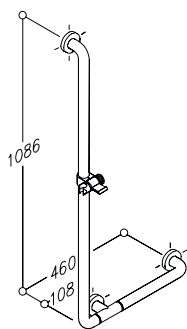
Product code

NORMBAU Angled rail NY.365.050

0300 652

460 x 1086mm showerhead rail, made of Nylon, 34mmØ full length non-corrosive steel core with matching intermediate rings. Showerhead holder NY.BRH 91 suitable for use with various showerheads, height and angle adjustable, multi-purpose side hook, left and right hand application. Supplied with 70mmØ steel cored roses for concealed fixing, stainless steel rose inners and screws. Available in NORMBAU colours: 18, 19, 22, 37 and 67.

Supplied with plugs and 6 Ø x 60mm screws for solid brick.



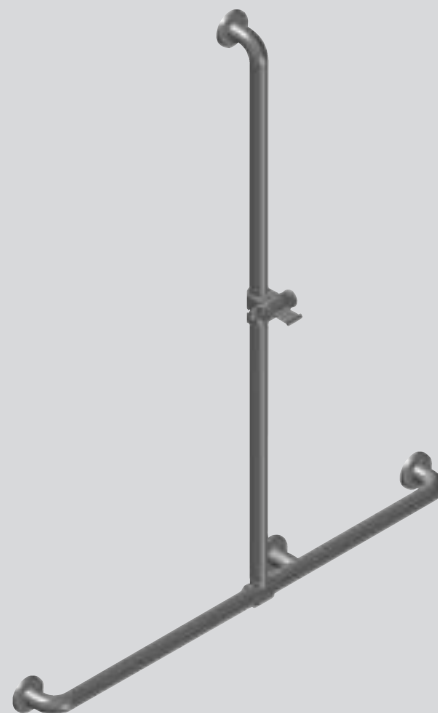
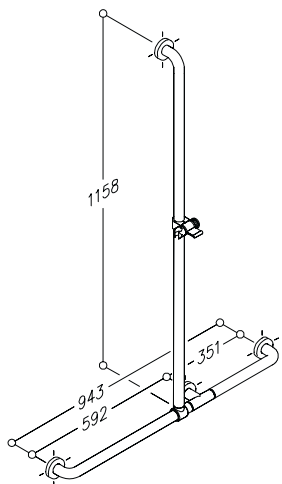
NORMBAU Shower handrail with showerhead rail

NY.382.040

0300 821

943 (592 x 351) x 1158mm adjustable showerhead rail, made of Nylon, 34mmØ full length non-corrosive steel core. Showerhead holder NY.BRH 91 suitable for use with various showerheads, adjustable height and angle, multi-purpose side hook, left and right hand application. Supplied with 70mmØ steel cored roses for concealed fixing, stainless steel rose inners and screws. Available in NORMBAU colours: 18, 19, 22, 37 and 67.

Supplied with plugs and 6 Ø x 60mm screws for solid brick.

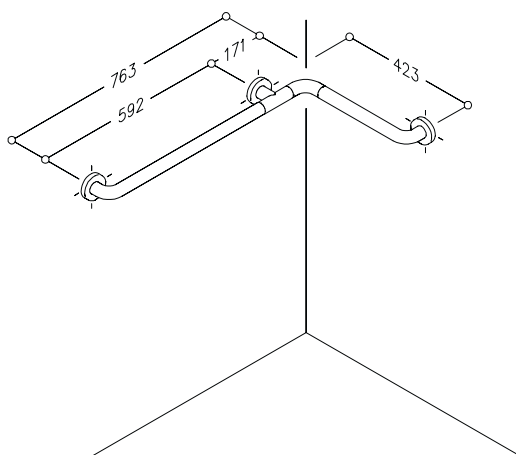


Product code

NORMBAU Corner grab rail NY.383.030**0300 832**

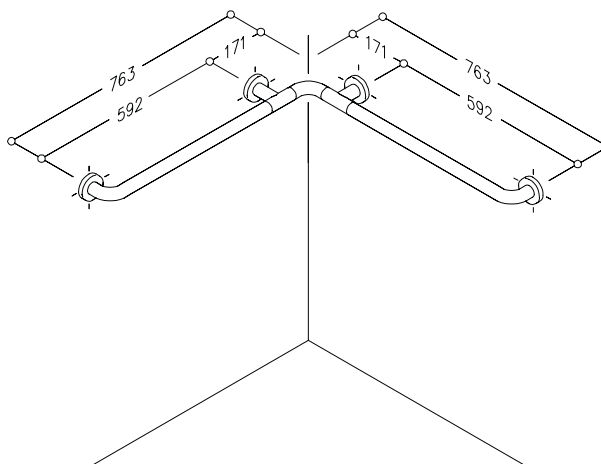
423 x 763mm, made of Nylon,
34mmØ full length non-corrosive steel core with matching intermediate rings. Left and right hand application. 70mmØ steel cored roses for concealed fixing, stainless steel rose inners and screws.
Available in NORMBAU colours: 18, 19, 22, 37 and 67.

Supplied with plugs and 6 Ø x 60mm screws for solid brick.

**NORMBAU Corner grab rail NY.383.010****0300 831**

763 x 763mm, made of Nylon,
34mmØ full length non-corrosive steel core with matching intermediate rings. Left and right hand application. 70mmØ steel cored roses for concealed fixing, stainless steel rose inners and screws.
Available in NORMBAU colours: 18, 19, 22, 37 and 67.

Supplied with plugs and 6 Ø x 60mm screws for solid brick.



Product code

NORMBAU Shower curtain rail NY.DU-VST 381...

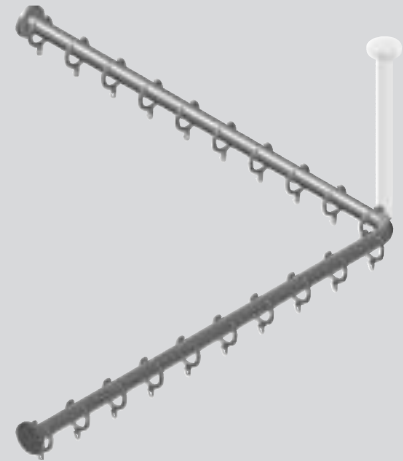
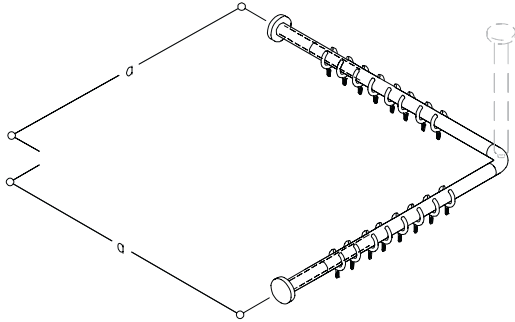
NY.DU-VST 381.020, c/c = 900 x 900mm
NY.DU-VST 381.030, c/c = 1000 x 1000mm

0300 811
0300 812

34mmØ non-corrosive steel core with adjustable length to suit all requirements, made of Nylon, left and right hand application. 70mmØ steel cored roses for concealed fixing, drilled for ceiling support and supplied with 18/20 curtain rings.

Available in NORMBAU colours: 18, 19, 22, 37 and 67.

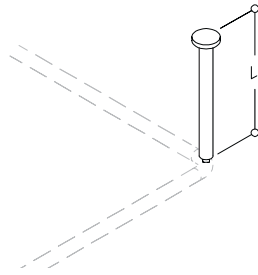
Supplied with plugs and 6 Ø x 60mm screws for solid brick.



NORMBAU Ceiling support NY.ABH 334.500

0300 341

500mm in length, made of Nylon, 34mmØ non-corrosive steel core with adjustable length to suit all requirements. 70mmØ steel cored roses for concealed fixing.



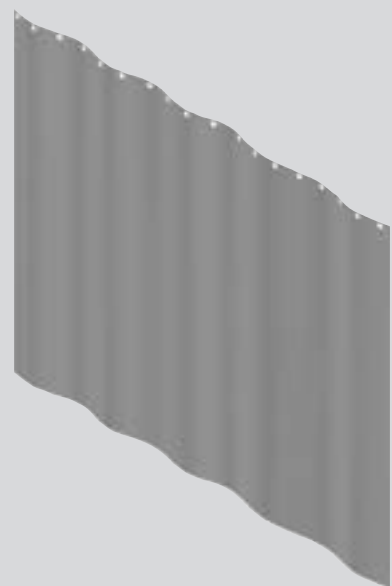
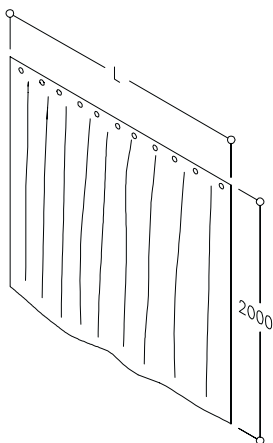
NORMBAU Shower curtain NY.DV.G ...

for shower curtain rail NY.DU-VST 381....

NY.DV.G 1200 x 2000mm	0300 981
NY.DV.G 1500 x 2000mm	0300 982
NY.DV.G 1800 x 2000mm	0300 983
NY.DV.G 2400 x 2000mm	0300 984

100% Polyester, 40° washable, quick drying, water repellent curtain. Hemmed, structured curtain with sewn in lead band and eyelets for curtain rings.

Available in NORMBAU colours: 19 (white) & 29 (light grey).



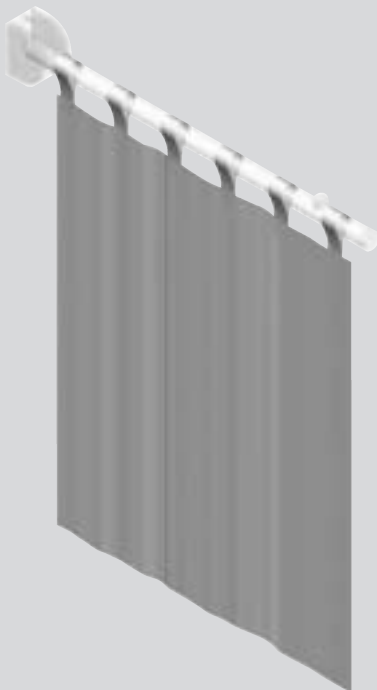
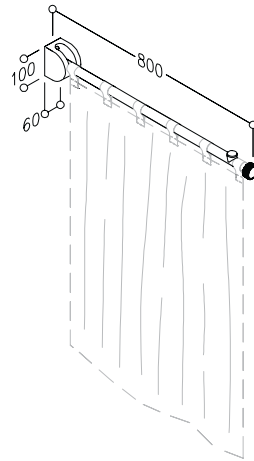
Product code

**NORMBAU Shower guard rail NY.348.800****0300 488**

length 800mm, made of Nylon, 34mmØ non-corrosive steel core with matching colour intermediate rings. Steel reinforced hinges with adjustable brake, built-in automatic stop for lift-up position, concealed fixing. Shower curtain guard not supplied. Shower guard rail NY.348.800 cannot be used as a lift-up support rail.

Plugs and screws not supplied.

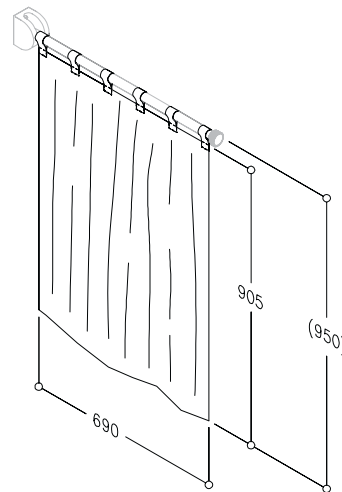
Select appropriate fixing method to suit site conditions.

**NORMBAU Shower guard rail 397.110****0300 972**

for shower guard rail NY.348.800

100% Polyester, 40° washable, quick drying, water repellent curtain with hanger suspension and Velcro fastening. Hemmed, structured curtain with sewn in lead band.

Available in NORMBAU colours: 19 (white) & 29 (light grey).



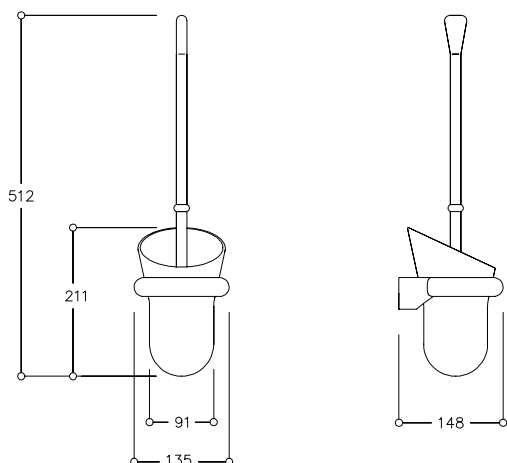
Product code

NORMBAU Toilet brush set NY.324.400**0300 444**

height 512mm, made of Nylon, rotating upper handle, removable for cleaning, with well for disinfectants. Conic upper holder, long brush handle with ergonomic grip and replaceable black brush head.

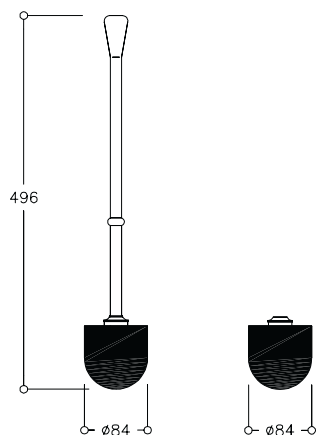
Available in NORMBAU colours: 18, 19, 22, 37 and 67.

Supplied with steel plugs and screws 6 Ø x 60mm.

**NORMBAU Toilet brush NY.324.450****0300 445**

height 496mm, made of Nylon, long brush handle with ergonomic shaped grip and replaceable black brush head.

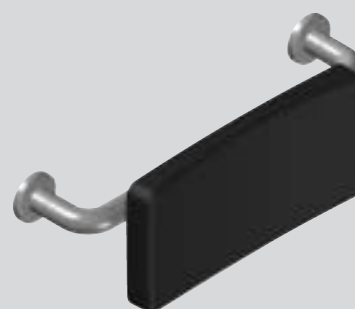
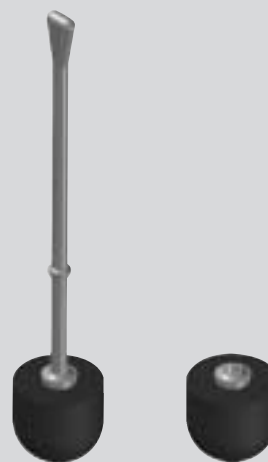
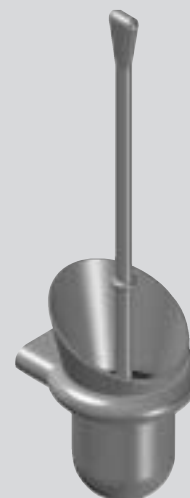
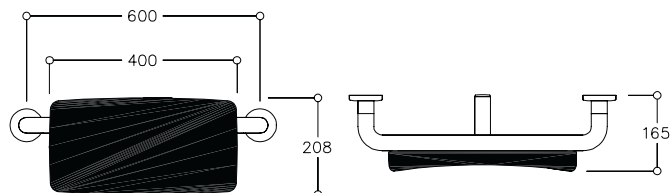
Available in NORMBAU colours 18, 19, 22, 37 and 67.

NORMBAU Toilet brush head NY.324.460**0300 446****NORMBAU Backrest NY.341.320****0300 411**

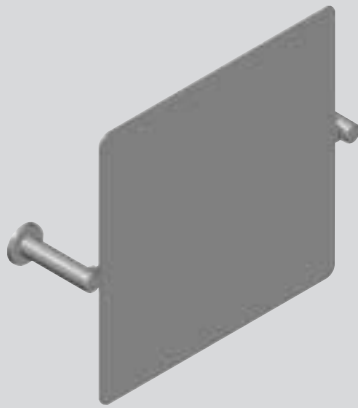
600 x 165 x 208mm, made of Nylon, full length non-corrosive steel core. Padded black (16) backplate, made of PUR integral foam. Left and right hand application. 70mmØ steel cored roses for concealed fixing, stainless steel rose inners and screws. Wall fixing: 700mm must be left above WC in accordance with German Standard DIN 18 024-2.

Available in NORMBAU colours: 18, 19, 22, 37 and 67.

Supplied with plugs and 6 Ø x 60mm screws for solid brick.



Product code

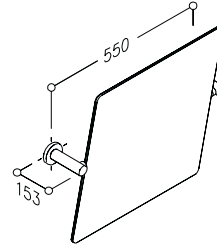
**NORMBAU Adjustable mirror NY.366.110****0300 661**

550 x 500mm, with nylon brackets.

Crystal glass mirror 500 x 500mm with cut edges and rounded corners, adjustable up to 25° with adjustable tilting action. 70mmØ steel cored roses for concealed fixing, stainless steel rose inners and screws.

Available in NORMBAU colours: 18, 19, 22, 37 and 67.

Supplied with plugs and 6 Ø x 60mm stainless steel screws for solid brick.

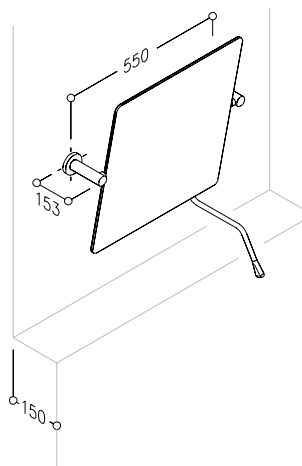
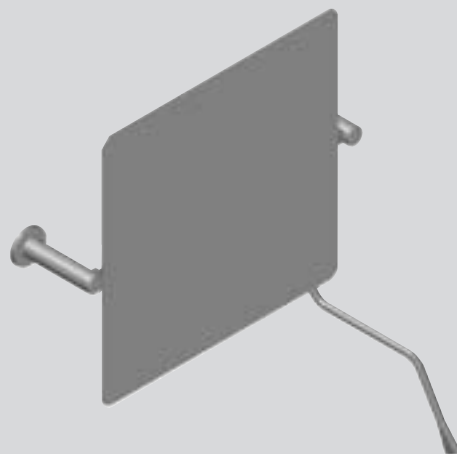
**NORMBAU Adjustable mirror with operating handle****NY.366.120****0300 662**

550 x 500mm, 34mmØ with nylon brackets.

Crystal glass mirror 500 x 500mm with cut edges and rounded corners, adjustable up to 25° with adjustable tilting action. Operating handle with ergonomic shaped grip, lateral tilting, mountable on left or right hand application, wall recesses up to 150mm (depth). 70mmØ steel cored roses for concealed fixing, stainless steel rose inners and screws.

Available in NORMBAU colours: 18, 19, 22, 37 and 67.

Supplied with plugs and 6 Ø x 60mm stainless steel screws for solid brick.

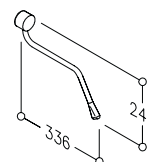
**NORMBAU Operating handle NY.366.450****0300 665**

15mmØ, made of Nylon.

Ergonomic shaped grip, lateral tilting, mountable left and right hand application, wall recesses up to 150mm (depth).

Available in NORMBAU colours: 18, 19, 22, 37 and 67.

Supplement of adjustable mirrors NY.366.110 Series.

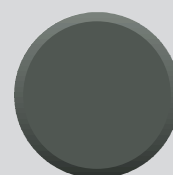


Colour Chart

For comparison we have indicated the most similar colour codes of the NCS (Natural-Colour-System), RAL-DS (RAL-Design-System) and RAL (RAL Colour Register 841-GL).

18 Dark Grey

NCS S 7500-N; RAL-DS 3500; RAL 7043



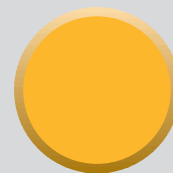
19 White

NCS S 0500-N; RAL-DS 9500; RAL 9016



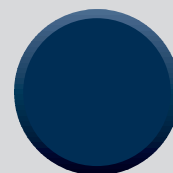
22 Yellow

NCS S 1080-Y10R, RAL-DS 080 80 90



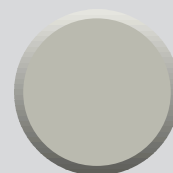
37 Dark Blue

NCS S 7020-R80B, RAL-DS 270 20 25, RAL 5003




67 Manhattan Grey

NCS S 2502-Y, RAL-DS 080 70 05



NORMBAU · Beschläge und Ausstattungs GmbH · Schwarzwaldstraße 15 · 77871 Renchen / Germany
Telefon +49 (0) 78 43 / 704 – 0 · Telefax +49 (0) 78 43 / 704 – 63 · www.normbau.de · info@normbau.de



	<p>Forgalmazó: Bello-Expert Kft. <small>"A minőségi megoldások hivatalos szállítója"</small> www.belloexpert.hu</p>
--	---

Ingersoll Rand is a global provider of products, services and integrated solutions to industries as diverse as transportation, manufacturing, food retailing, construction, and agriculture. With a 100-year-old heritage of technological innovation, we help companies be more productive, efficient and innovative. In every line of our business – from climate control to security – Ingersoll Rand enables companies and their customers to turn work into progress.